



drillMate



Fast, Accurate, Flexible, Affordable

The drillMate was developed by Matrix Design, LLC., to serve as an affordable yet flexible machine tending solution for any Drill/Tap Machine. In this capacity, the drillMate is capable of servicing one or two Drill/Tap Machines located on either side of the robotic system.

The drillMate's integral sheet metal enclosure not only looks sleek, but is functional as well - it has been designed to provide maximum operator access while taking up minimal factory floor space. Additionally, the plank grating floor and sub-flooring have been designed to keep your metalworking fluids contained and your facility clean.

The drillMate's solid construction makes it a cinch to install. Whether you can use one of our standard machine interfacing solutions, or whether a custom interface is required, the flexMate arrives at your facility ready to work.

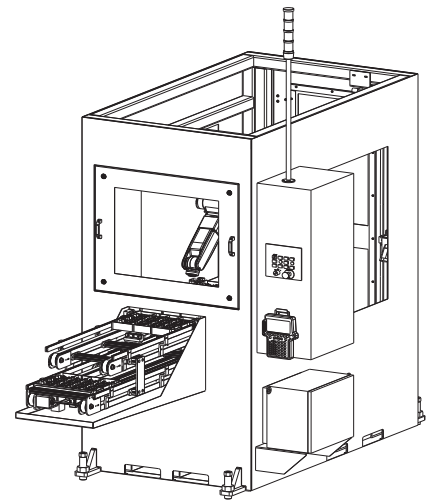
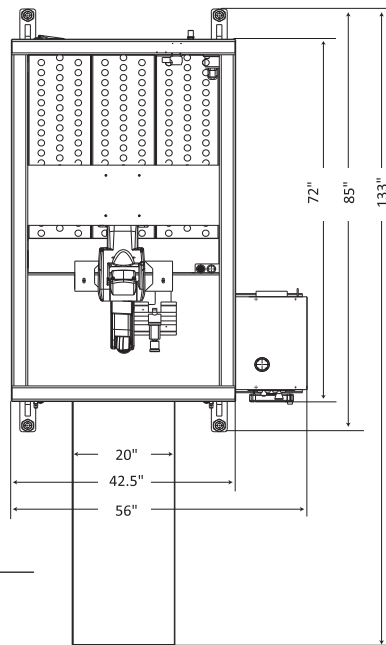
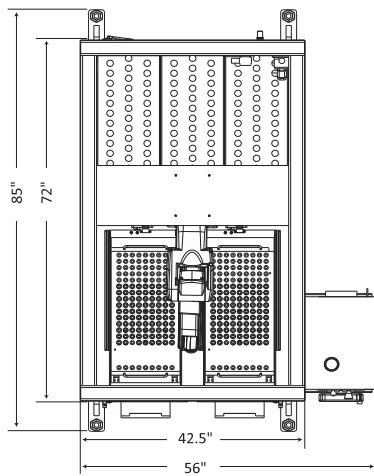
Combining proven FANUC Robotics reliability with Matrix Design's automation experience and quality service, the drill Mate will be a profitable investment for years to come.

Features & Benefits

- Increased productivity and throughput versus manual parts loading.
- Small footprint - Sheet metal enclosure minimizes floor space.
- Containment of metalworking fluids for clean working environment.
- Access door provides easy entry to machine and automation system.
- Operator panel with pushbuttons simplifies operator interface.
- On board PLC for real time signal processing.
- Absolute encoder positioning eliminates homing at power up.
- Reduced cabling issues due to hollow robot joints.

Available Options

- Custom designed end of arm tooling.
- Pallet drawer part infeed option.
- Motorized conveyor infeed options.
- Alternate part infeed options (feeder bowls, gravity tracks, etc.).
- SPC part options.
- Reject part options.
- Secondary operation processing (debur, post process gage, etc.).
- Custom part tray design.
- Color, graphical, network-ready iPendant teach pendant.
- CSA mark robot/CE mark robot.
- Extended warranty available.
- Installation / run-off / training assistance.



SPECIFICATIONS

LR200iC/5L

Axes	6
Payloads (kg)	5
Reach (mm)	35" {892}
Repeatability (mm)	+/- 0.003" {0.08 mm}
Motion Speeds (deg/sec)	
J1	270
J2	270
J3	270
J4	450
J5	450
J6	720

IP Ratings

Body	IP54 (Option IP67)
Forearm	IP67
Wrist	IP67

Pallet Dimensions (mm) 18" {457 mm} x 12" {304 mm}

PLC Fanuc Integrated PMC



Matrix Design, LLC.

1525 Holmes Rd.
Elgin, IL 60123



Tel. (847)841-8260
Fax. (847)841-8264



www.getmatrixed.com
info@getmatrixed.com

