



flexMate S10



Fast, Accurate, Flexible, Affordable

The flexMate S10 was developed by Matrix Design, LLC., to serve as an affordable yet flexible machine tending solution. In this capacity, the flexMate is capable of servicing a variety of machine tools.

- Machining Centers
- Drill / Tap Machines
- Cylindrical Grinding Machines

The flexMate's integral sheet metal enclosure not only looks sleek, but is functional as well - it has been designed to provide maximum operator access while taking up minimal factory floor space. Additionally, the plank grating floor and sub-flooring have been designed to keep your metalworking fluids contained and your facility clean.

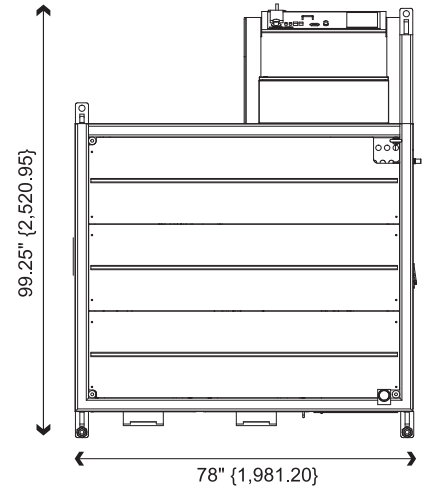
The flexMate's solid construction makes it a cinch to install. Whether you can use one of our standard machine interfacing solutions, or whether a custom interface is required, the flexMate arrives at your facility ready to work.

Features & Benefits

- Increased productivity and throughput versus manual parts loading.
- Small footprint - Sheet metal enclosure minimizes floor space.
- Containment of metalworking fluids for clean working environment.
- Access door provides easy entry to machine and automation system.
- Operator panel with pushbuttons simplifies operator interface.
- Generous working payloads & large work envelopes.
- On board PLC for real time signal processing.
- Absolute encoder positioning eliminates homing at power up.
- Reduced cabling issues due to hollow robot joints.

Available Options

- Custom designed end of arm tooling.
- Pallet drawer part infeed option.
- Motorized conveyor infeed options.
- Alternate part infeed options (feeder bowls, gravity tracks, etc.).
- SPC part options.
- Reject part options.
- Secondary operation processing (debur, post process gage, etc.).
- Custom part tray design.
- Color, graphical, network-ready iPendant teach pendant.
- CSA mark robot/CE mark robot.
- Extended warranty available.
- Installation / run-off / training assistance.



SPECIFICATIONS

M10iA

Axes	6
Payloads (kg)	10
Reach (mm)	55.9" {1,420}
Repeatability (mm)	+/- 0.003" {0.08 mm}
Motion Speeds (deg/sec)	
J1	210
J2	190
J3	210
J4	400
J5	400
J6	600

IP Ratings

Body	IP54
Forearm	IP67
Wrist	IP67

Pallet Dimensions (mm) 18" {457 mm} L x 18" {457 mm} W



Matrix Design, LLC.

1525 Holmes Rd.
Elgin, IL 60123



Tel. (847)841-8260
Fax. (847)841-8264



www.getmatrixed.com
info@getmatrixed.com

