



Features & Benefits

- Increased productivity and throughput versus manual parts loading.
- Small footprint - Sheet metal enclosure minimizes floor space.
- Containment of metalworking fluids for clean working environment.
- Access door provides easy entry to machine and automation system.
- Operator panel with pushbuttons simplifies operator interface.
- Generous working payloads & large work envelopes.
- On board PLC for real time signal processing.
- Absolute encoder positioning eliminates homing at power up.

Available Options

- Custom designed end of arm tooling.
- Pallet drawer part infeed option.
- Motorized conveyor infeed options.
- Alternate part infeed options (feeder bowls, gravity tracks, etc.).
- SPC part options.
- Reject part options.
- Secondary operation processing (debur, post process gage, etc.).
- Custom part tray design.
- Color, graphical, network-ready iPendant teach pendant.
- CSA mark robot/CE mark robot.
- Extended warranty available.
- Installation / run-off / training assistance.

Fast, Accurate, Flexible, Affordable

The flexMate 150 was developed by Matrix Design, LLC., to serve as an affordable yet flexible machine tending solution. In this capacity, the flexMate is capable of servicing a variety of machine tools.

The flexMate's integral sheet metal enclosure not only looks sleek, but is functional as well - it has been designed to provide maximum operator access while taking up minimal factory floor space. Additionally, the plank grating floor and sub-flooring have been designed to keep your metal-working fluids contained and your facility clean. Modular construction allows for variable infeed configurations.

The flexMate's solid construction makes it a cinch to install. Whether you can use one of our standard machine interfacing solutions, or whether a custom interface is required, the flexMate arrives at your facility ready to work.

Matrix Design, LLC.

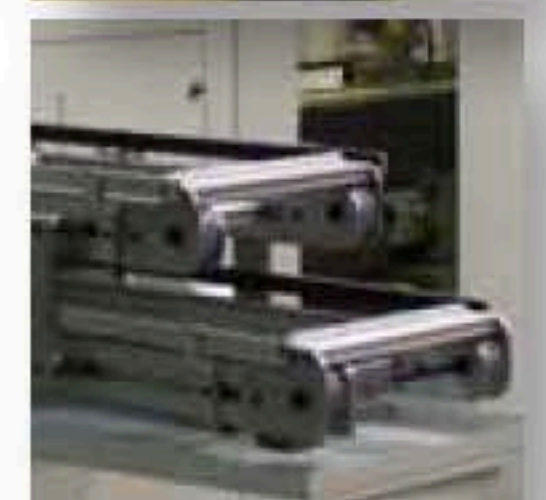
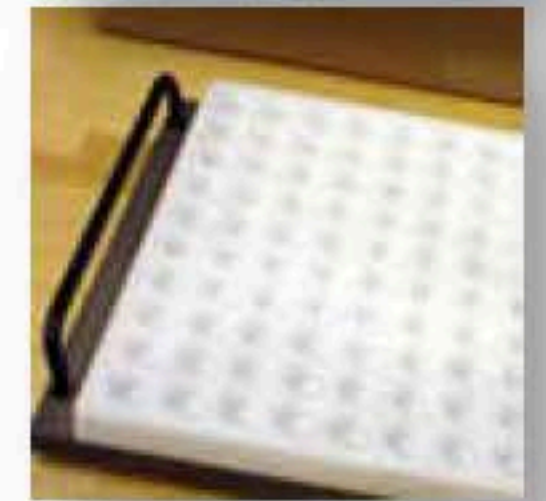
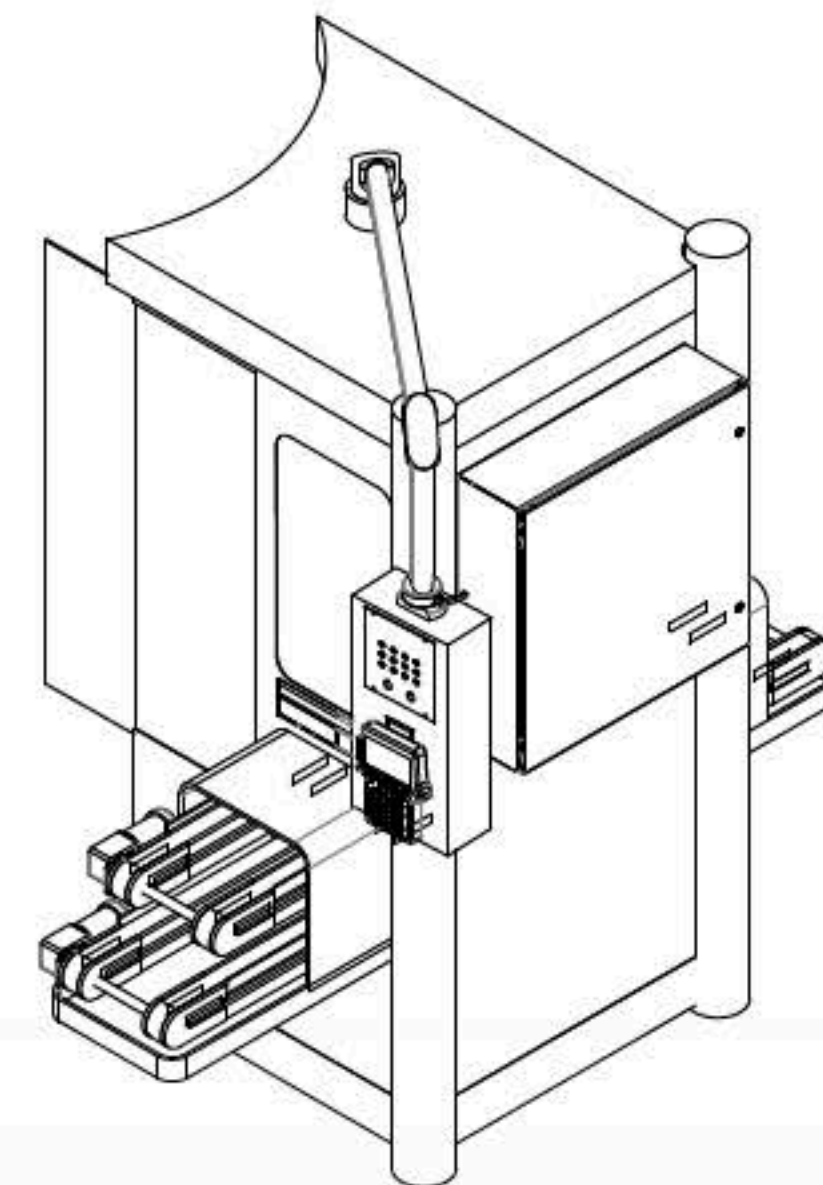
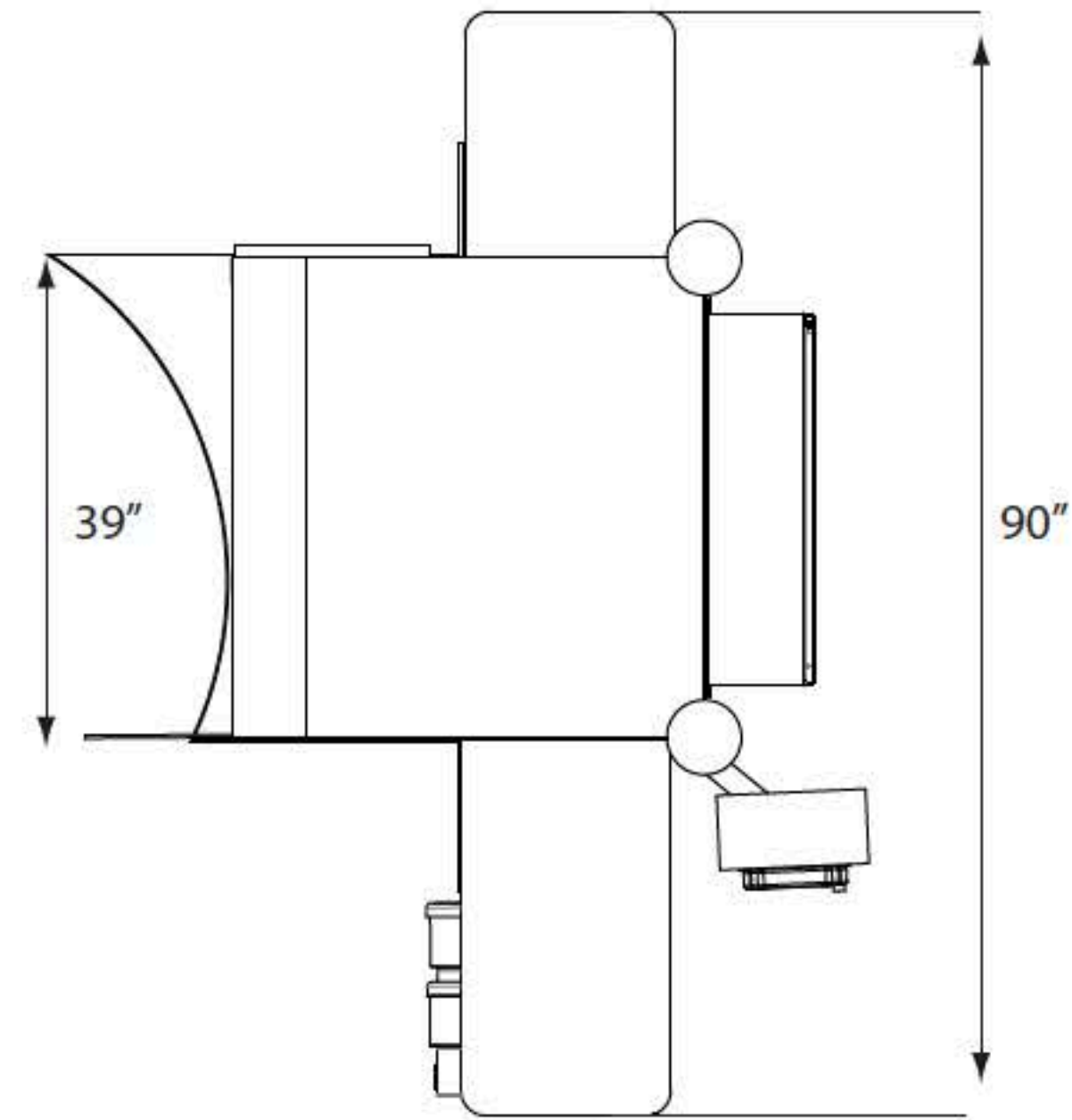
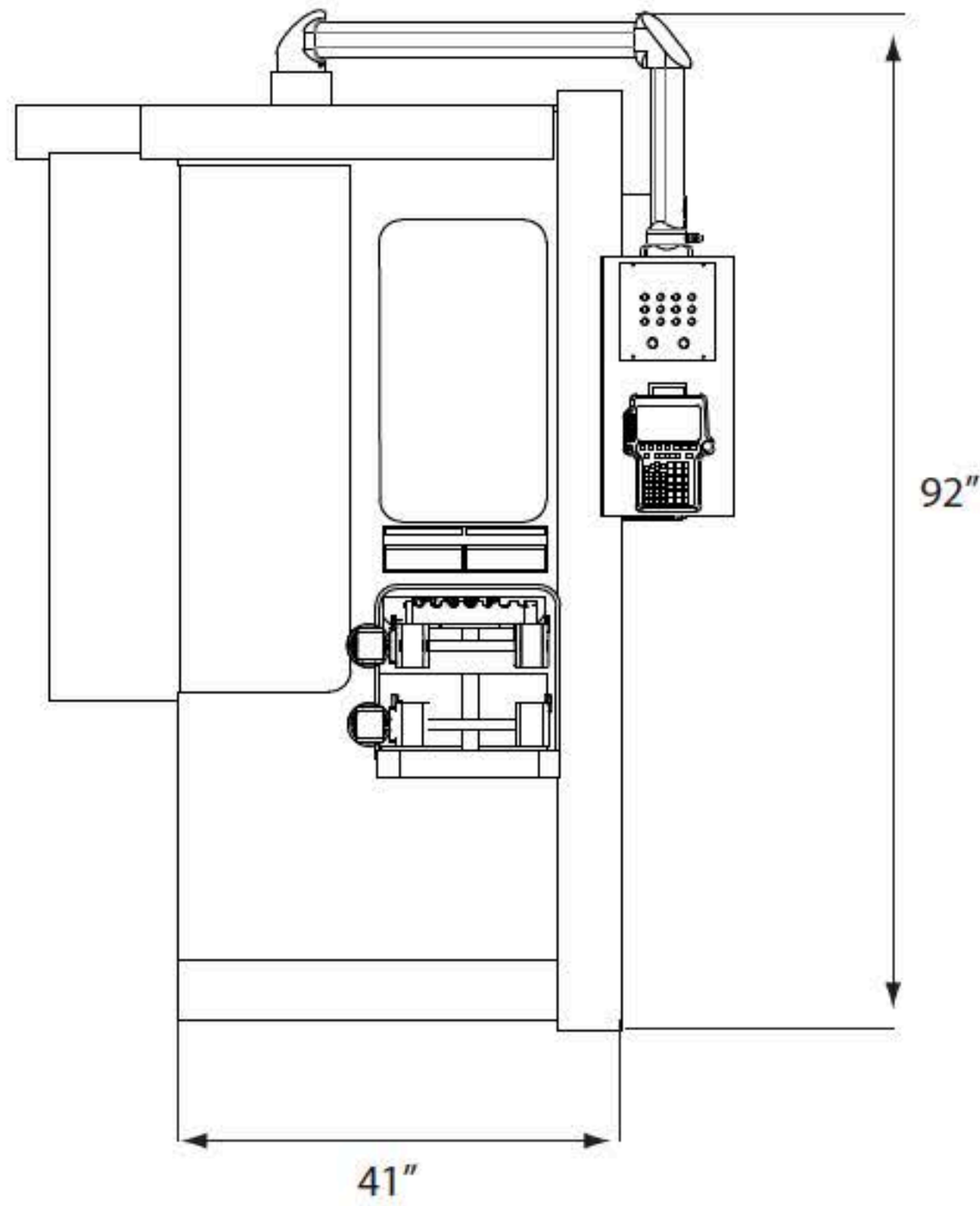
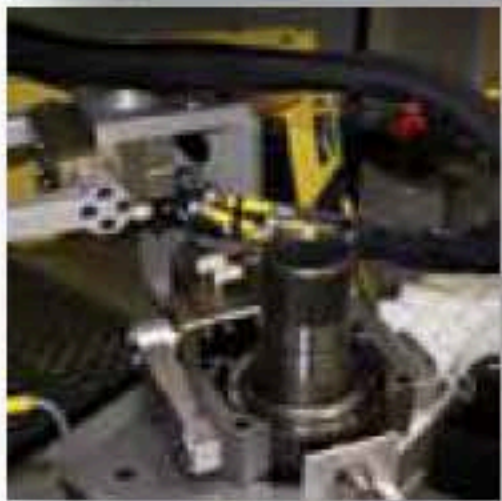
1525 Holmes Road
Elgin, IL 60123

Tel. 847.841.8260
Fax. 847.841.8264

<http://www.getmatrixed.com>
info@getmatrixed.com



Manufacture intelligently.



Specifications

Robot:	Fanuc LR Mate 200iC		
Axes:	6		
Payload:	5 kg		
Reach:	704 mm (LR Mate 200iC)		
Repeatability:	+/- 0.02		
Motion Range/Speed:	J1	340/360 deg	350 deg/s
	J2	200 deg	350 deg/s
	J3	388 deg	400 deg/s
	J4	380 deg	450 deg/s
	J5	240 deg	450 deg/s
	J6	720 deg	720 deg/s
IP Ratings:	Body:	IP65	
	Forearm:	IP67	
	Wrist:	IP67	
Pallet Dimensions:	300mm x 300mm x 100mm		
Robot Controller:	System R30iA Mate		
Available Vision:	FANUC iR Vision		
Input Voltage:	220 VAC/Single Phase		

flexMate 150S

FANUC
Robotics



**AUTHORIZED
INTEGRATOR**